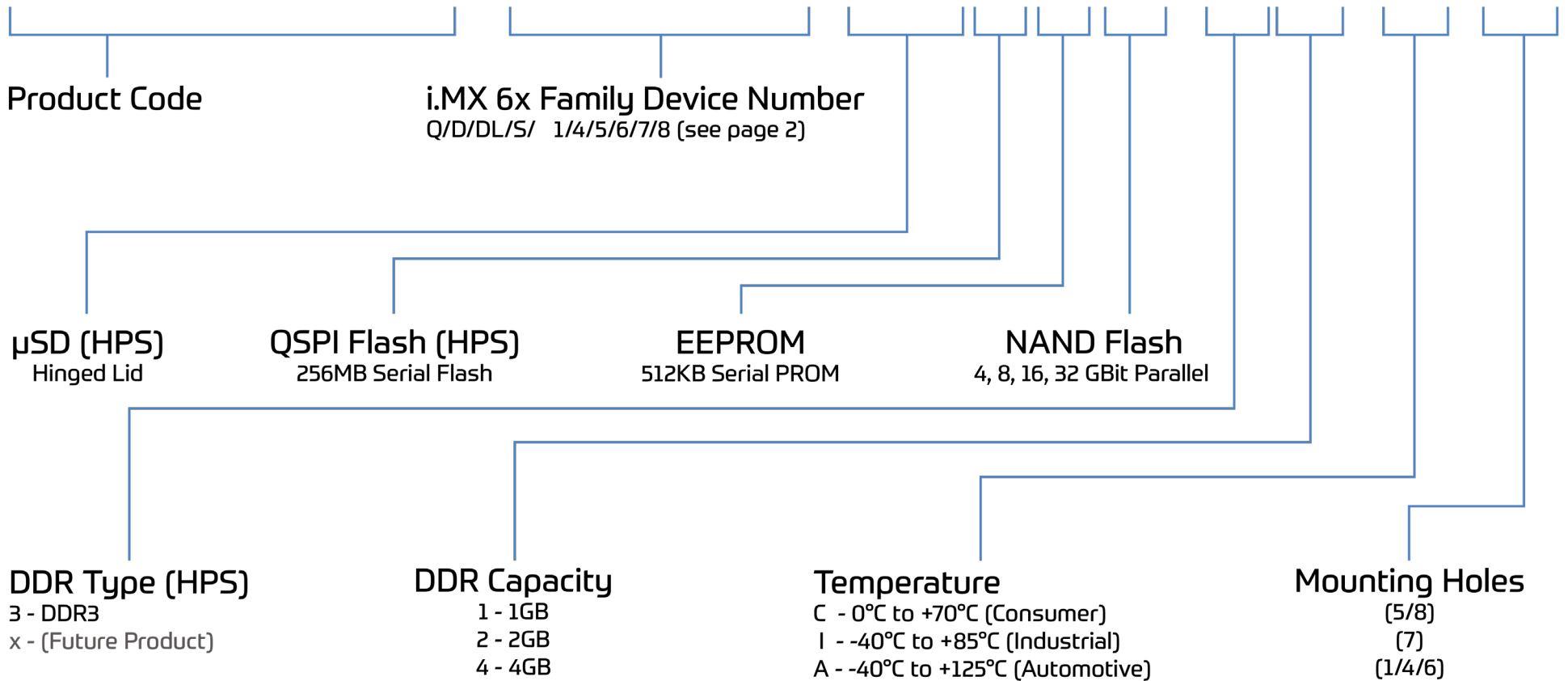


NOVSOM®iMX6x-SxFEN-TY-K-M



Part Differentiator	@
Consumer i.MX 6Q/6D: No MLB i.MX 6U/6S: EPDC, No MLB i.MX 6L: OpenVG, EPDC	8
Industrial i.MX 6Q/6D: No MLB i.MX 6U/6S: No EPDC, No MLB Non-Industrial i.MX 6L: No OpenVG, EPDC	7
Automotive i.MX 6Q/6D: All Features i.MX 6U/6S: No EPDC	6
Consumer i.MX 6Q/6D: No MLB i.MX 6U/6S: No EPDC/MLB	5
Automotive i.MX 6Q/6D: No VPU i.MX 6U/6S: No VPU/EPDC	4
Consumer i.MX 6L: OpenVG, No EPDC	3
Consumer i.MX 6L: No OpenVG, EPDC	2
Automotive i.MX 6Q/6D: No VPU/GPU i.MX 6U/6S: No VPU/GPU/EPDC	1

Examples of Valid Parts Numbers:

NOVSOM®iMX6Q6-SL-31-C (stocking part)

SoM with i.MX6Q6, µSD slot (lock type), 1GB DDR3, Consumer Temperature Range.

NOVSOM®iMX6D5-EN-32-D

SoM with i.MX6D5, EEPROM, NAND, 2GB DDR3, Consumer Temperature Range.

NOVSOM®iMX6Q4-N-34-A

SoM with i.MX6Q4, NAND, 4GB DDR3, Industrial Temperature Range.

NOVSOM®iMX6S7-SPFEN-31-C

SoM with i.MX6S7, µSD slot (push type), SPI Flash, EEPROM, NAND, 1GB DDR3, Consumer Temperature Range.

NOVSOM®iMX6Q6-SL-31-A-M

SoM with i.MX6Q6, µSD slot (lock type), 1GB DDR3, Automotive Temperature Range and mounting holes (larger PCB)